

Teka Kitchen
Appliance
Product Sheet

MasterSense Air

AAF 87601 MST
Induction hob with
integrated hood

TEKA

TEKA

AUTO



SPEED CONTROL

Introducing MasterSense Air

The ultimate solution for modern kitchens. This innovative induction hob with a built-in hood redefines cooking convenience, saving space and time with its elegant, stylish, and streamlined design that blends seamlessly into any environment.

The integrated hood starts up automatically when you begin cooking, adapting its power to perfectly suit your needs, while the energy-efficient solution frees you from yet another chore.

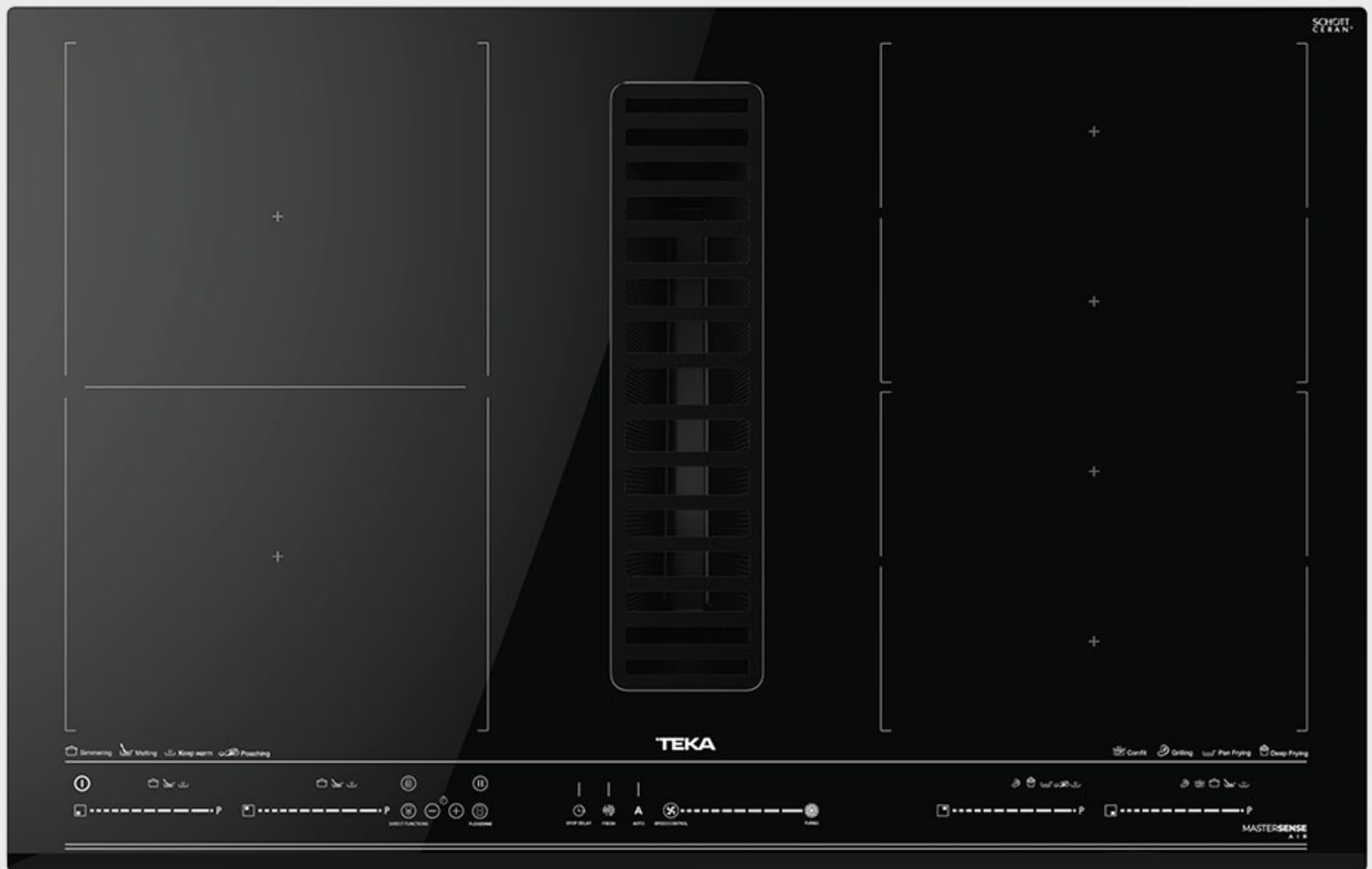
With cutting-edge technology in a single space, MasterSense Air offers the perfect combination of style, performance, and convenience. The temperature sensors ensure precise control and uniform heat for perfect results every time. At the same time, the flexible cooking zones provide ultimate freedom and flexibility in the kitchen, accommodating different shapes and sizes of pans.

Discover the future of cooking
with MasterSense Air today!



MasterSense Air

Induction hob with integrated hood



Highlights

- Product of the Year 2023
- Integrated hob and hood cooking solution saves space in your kitchen and offers maximum versatility
- 6 induction cooking zones (4 + 2 Flex) for maximum cooking space
- MultiSlider Touch Control allows independent control of each cooking zone for ultimate precision
- The 8 direct functions utilize advanced temperature sensors for intuitive and efficient cooking
- FreshAir function automatically renews kitchen air for a fresher cooking environment
- EasyClean Collector system simplifies extractor cleaning for hassle-free maintenance

MasterSense Air
AAF 87601 MST



Technical Details

AAF 87601 MST

Induction hob with integrated hood

Hob Details

- Direct functions:
Confit, poach, grilling, pan frying, deep frying, simmering, melting
- Touch control MultiSlider
- 6 (4 + 2 Flex) cooking zones
- Ceramic glass surface
- Auto-lock safety system
- 9 Cooking timer
- Power Plus
- Child safety lock
- Residual heat indicator
- Power management
- Easy installation kit
- Maximum nominal power:
7200 (IH) + 200 (AH)

Hood Details

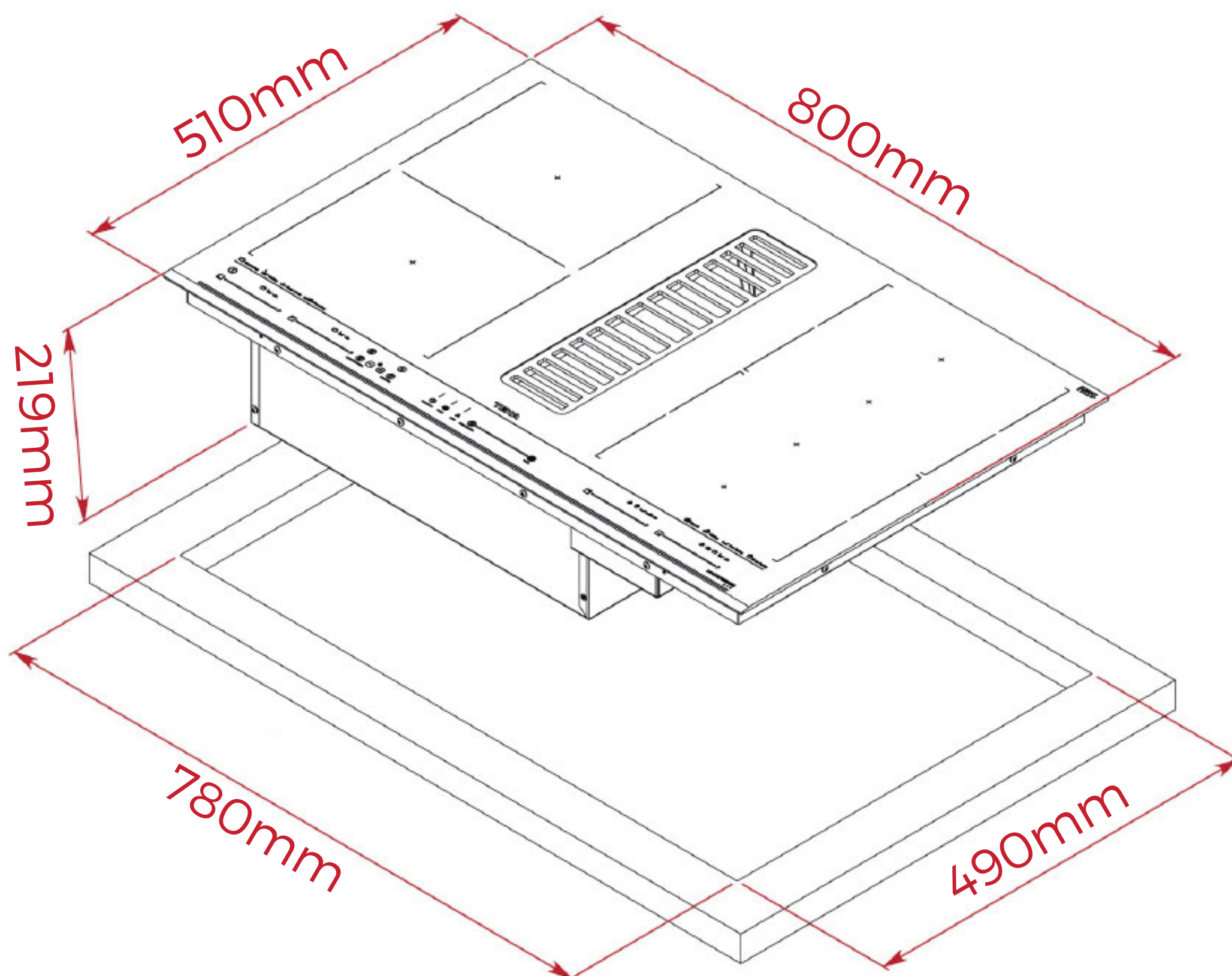
- Automatic hood activation
- FreshAir function
- Brushless EcoPower Motor
- 9 speeds
- Intensive speed sound level (dBA): 66
- Max speed sound level (dBA): 65
- Min speed sound level (dBA): 43
- 2 aluminium filters with 12 layers
- Stop delay timer
- Filter saturation indicator

Dimensions

AAF 87601 MST

Induction hob with integrated hood

- Product height (mm): 219
- Product width (mm): 800
- Product depth (mm): 510
- Net weight (Kg): 25



Technical Specifications

AAF 87601 MST

Induction hob with integrated hood

- Power rate (V): 220-240
- Frequency (Hz): 50/60
- Maximum Nominal Power (W):
7200 (IH) + 200 (AH)

Colours

AAF 87601 MST

- Colour code: 112730000 Black



**Teka
Singapore**

Contact

+65 6734 2415

hello@teka-sg.com

Support

+65 6235 2265

support@teka-sg.com

Website

www.teka-sg.com

Follow Us

TekaSingapore



Terms & conditions apply

TEKA