



PERFECTA4 DLH 1185 T 110cm Decorative Hood with Touch Control Display and ECOPOWER A4 motor



LED lighting



Full A 4 energy label: A class in energy efficiency, fluid dynamic, lightning and grease filtering.



Stop delay timer

DESCRIPTION

110cm Decorative Hood with Touch Control Display and ECOPOWER A4 motor

LIFE STYLE

Maestro

COLORS



REFERENCE

REF. 40437110
EAN. 8421152145678

FEATURES

Ultraslim decorative hood
EcoPower motor
Energy Efficiency class: A
4A (Energy efficiency A, Fluid dynamic efficiency A, lighting efficiency A, grease filtering efficiency A)
Touch control panel
Operating Pilot Light
3 speeds + 1 intensive
Exhaust capacities:
Free Outlet, m³/h: 795
Qboost, m³/h: 740
Max., m³/h: 586
Min., m³/h: 306
Noise (LwA) Boost Speed, dB: 72
Noise (LwA) Max Speed, dB: 68
Noise (LwA) Min Speed, dB: 54
1 LED BAR
3 stainless steel filters (12 layers)
Stop delay timer
Filter saturation indicator

DIMENSIONS

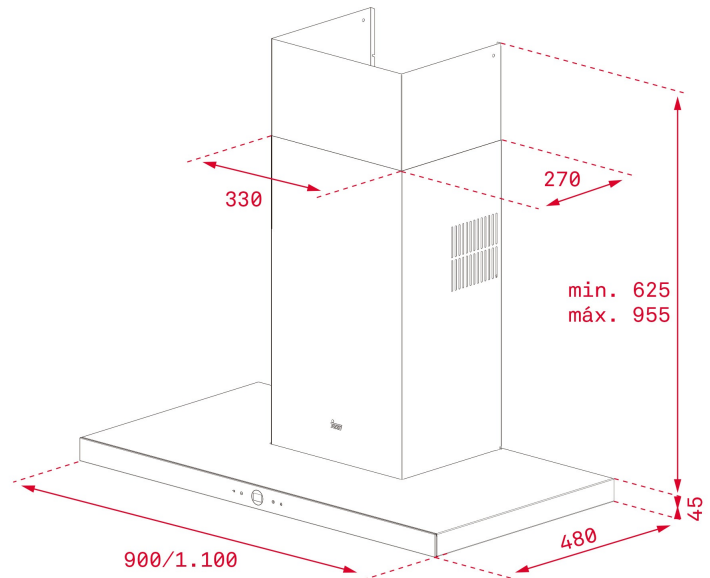
Product height (mm): 670-1000

Product width (mm): 1100

Product depth (mm): 480

Product length (mm):

Net weight (Kg): 16,64



TECH SPECS

FEATURES

Certificates: CE; CB; Rohs
Ø Outlet (mm): 150
Inside light Consumption (W): 17
Plug type: Schuko plug
Power rate (V): 230
Frequency (Hz): 50
Total hood power (W): 287
Number of motors: 1
Motor power (W): 280

ACCESSORIES

Anti Return valve: Yes
Outlet reduction: Yes
Outlet extension: No
Optional Charcoal Filter: C1RTK
Regenerative charcoal filter: R1RTK
Conventional recirculation kit (opt) - w/tube cover: CFH 15200 L3C
Regenerative recirculation kit (opt) - w/tube cover: RFH 15200 L3C

MODELS

Number of filters: 3

Stop delay timer: Yes

Filter saturation indicator: Yes

Time clock: Yes

Number of speeds: 3+1



PERFECTA4 DLH 1185 T

ENERGY LABEL

The energy label for the TEKA DLH 985/1185 T model includes the following information:

- Brand and Model:** TEKA DLH 985/1185 T
- Energy Efficiency Class:** A (indicated by a black arrow pointing to the 'A' level on the scale)
- Energy Consumption:** 56 kWh/annum
- Energy Efficiency Scale:** A+, A, B, C, D, E, F (represented by colored bars)
- Additional Metrics:** Four icons representing different performance areas, each with an A-BCDEFG scale:
 - Icon 1: Fan/Blower (A-BCDEFG)
 - Icon 2: Light bulb (A-BCDEFG)
 - Icon 3: Water droplets (A-BCDEFG)
 - Icon 4: Sound waves (68dB)
- Regulatory Information:** 65/2014 and 1130172