



Built-in Kitchen Appliances

Ovens, Compacts & Microwaves



Bring the steakhouse experience home with Teka SteakMaster, co-developed with Michelin chefs. Its exclusive SteakGrill reaches 700°C, delivering a perfect sear and juicy interior in minutes. Restaurant-quality results, without the restaurant bill.

Frame



Frameless



SteakMaster
60cm Built-in Oven

71 litres

Dimensions: W x H x D (mm)
595 x 595 x 559

15 Amp

Product Highlights:

A energy

- Exclusive SteakGrill (700°C)
- Special cast iron grill for steaks
- 20 automatic programs for meat
- DualClean: Pyrolysis & HydroClean® Pro
- Removeable 4 glazed door + SoftClose

Cooking Functions & Features: 12 + 1



\$5,300

Made in Spain



HLB 8550 SC
60cm Built-in Steam Oven

71 litres

Dimensions: W x H x D (mm)
595 x 595 x 559

13 Amp

Product Highlights:

A energy

- 3 specialised steam functions
- Easy & safe telescopic tray guides
- SurroundTemp even heat distribution
- HydroClean® Pro self-cleaning
- 3 glazed door + SoftClose

Cooking Functions & Features: 12



\$5,350

Made in Spain



HLF 9400
90cm Built-in Oven

77 litres

Dimensions: W x H x D (mm)
890 x 480 x 538

13 Amp

Product Highlights:

A energy

- XXXL capacity
- Easy & safe telescopic tray guides
- Children safety lock
- HydroClean® Pro self-cleaning
- 3 glazed door

Cooking Functions & Features: 8



\$4,800

Made in Spain



HLB 8700 P
60cm Built-in Smart Oven

71 litres

Dimensions: W x H x D (mm)
595 x 595 x 559

15 Amp

Product Highlights:

A energy

- iOS, Android and Alexa control
- AirFry healthy frying function
- FryMaster box for flip-free cooking
- Cooking assistant: 20 recipes
- DualClean: Pyrolysis & HydroClean® Pro

Cooking Functions & Features: 12 + 1



\$4,500

Made in Spain



HLB 840 White

60cm Built-in Oven

71 litres

Dimensions: W x H x D (mm)
595 x 595 x 559

13 Amp

Product Highlights:

- Express pre-heating
- Easy & safe telescopic tray guides
- SurroundTemp even heat distribution
- HydroClean® Pro self-cleaning



Cooking Functions & Features: 9



\$2,200

Made in Spain



NEO HSB 6466 FBK

60cm Built-in Oven

71 litres

Dimensions: W x H x D (mm)
595 x 595 x 559

13 Amp

Product Highlights:

- AirFry healthy frying function
- CHEF auto cooking functions
- Electronic LED control panel
- Plus extension telescopic guides
- HydroClean® Pro self-cleaning



Cooking Functions & Features: 9 + 1



\$2,200

Made in Spain



NEO HSB 6450 FBK

60cm Built-in Oven

71 litres

Dimensions: W x H x D (mm)
595 x 595 x 559

13 Amp

Product Highlights:

- CHEF auto cooking functions
- Electronic LED control panel
- Plus extension telescopic guides
- HydroClean® Pro self-cleaning
- Removeable 2 glazed door



Cooking Functions & Features: 9



\$2,100

Made in Spain



TL 735B

60cm Built-in Oven

72 litres

Dimensions: W x H x D (mm)
595 x 596 x 566

13 Amp

Product Highlights:

- Electronic control panel
- Pop in/out knobs
- Children safety lock
- Guide levels: 5
- 3 glazed door

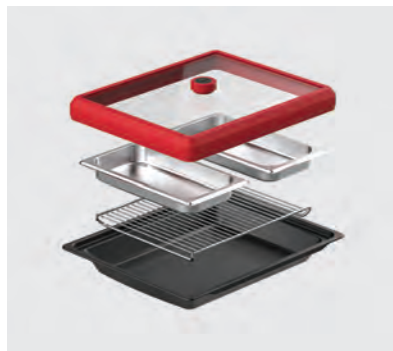


Cooking Functions & Features: 12



\$1,100

Made in China



SteamBox

Oven Accessory

Dimensions: W x H x D (mm)
460 x 100 x 380

Product Highlights:

- Turn your oven into a pro steamer
- Set includes: 2 trays, 1 extra deep tray, inner grid
- Multi-level cooking for multiple dishes
- Steam-sealed glass lid with vent

Designed for Teka ovens:
SteakMaster, HSB, HLB and HCB

\$490

Made in Spain



Transform your Teka oven into a steamer with the SteamBox. Prepare delicious, nutrient-rich dishes that preserve original flavour, aroma and texture. Simply add water and enjoy vibrant results in every bite.





HLC 8470 SC
45cm Steam Oven Combi

45 litres

Dimensions: W x H x D (mm)
595 x 455 x 559

13 Amp

Product Highlights:

- Multifunctional oven + Steamer
- Steam cooking: 35°C - 100°C
- Steam combined function (20% steam)
- Slow cook, sterilization & regeneration function
- Children safety lock
- Meatprobe included
- SurroundTemp even heat distribution
- HydroClean® Pro self-cleaning
- 4 glazed door + SoftClose

Cooking Functions & Features: 15



\$4,700

Made in Spain



HLC 847 C / HLC 8470 C
45cm Microwave Oven Combi

41 litres

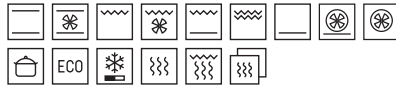
Dimensions: W x H x D (mm)
595 x 455 x 559

13 Amp

Product Highlights:

- Multifunctional oven + Microwave
- Defrost by weight and time
- Children safety lock
- 5 power levels + 1000W microwave
- SurroundTemp even heat distribution
- Cooking assistant: 20 recipes
- HydroClean® Pro self-cleaning
- Touch control display with electronic timer
- 3 glazed door + SoftClose

Cooking Functions & Features: 15



\$4,000

Made in Spain



Compact in size, big in function. Teka's 45cm compact ovens combine steam or microwave with full oven performance, giving you versatile cooking in a space-saving design.

Enjoy rich, aromatic coffee at home

with the Teka compact coffee machine.

Choose between a built-in capsule model or grinder model, both designed to deliver your perfect cup, every time.


CLC 855 GM
 45cm Built-in Coffee Machine

1.8
 litres

Dimensions: W x H x D (mm)
 595 x 455 x 412
Product Highlights:

30 automatic programs
 3 functions; coffee, steam & hot water
 Integrated steel grinder for natural coffee beans
 Availability for ground coffee
 Capacity: 2 cups at a time

Self-cleaning function
 Adjustable height system for different cup sizes
 1.8 litres water tank
 15 bar pump pressure

\$5,650
Made in Italy

CLC 835 MC
 45cm Built-in Coffee Machine

1
 litre

Dimensions: W x H x D (mm)
 595 x 455 x 330
Product Highlights:

Multiple capsule and ground built-in coffee machine
 5 capsules adaptors: Nespresso®, Lavazza, Caffitaly, E.S.E pod
 Retractable pipe for milk frother, steam and hot water
 Adjustable height system for different cup sizes

Descaling function
 Electronic control with TFT display
 Capacity: 1 cup
 Temperature selector
 1 storage drawer + 2 side storage compartments
 19 bar pump pressure

\$4,300
Made in Italy



ML 82-G1

Built-in Microwave + Grill

22 litres

Dimensions: W x H x D (mm)

595 x 390 x 334

Product Highlights:

Limited edition collaboration with Italdesign

Matte black finishing with premium copper touches

5 power levels: 850W

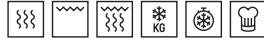
Grill power: 1200W

Quick start

Ceramic base for uniform heating

2 glazed door with left opening

Cooking Functions & Features: 6



\$2,800

Made in Italy



ML 825 TFL

Built-in Microwave + Grill

25 litres

Dimensions: W x H x D (mm)

595 x 390 x 390

Product Highlights:

Touch Control panel and TFT display

5 power levels: 900W

Quick start + 30 secs

2 stage cooking programming

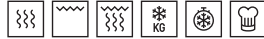
8 auto direct access menus

31.5cm turntable

Child safety block

Framed and frameless options to match your kitchen aesthetic

Cooking Functions & Features: 6



\$1,550

Made in China



MWE 209 FI

Built-in Microwave + Grill

20 litres

Dimensions: W x H x D (mm)

595 x 382 x 359

Product Highlights:

Touch Control panel

5 power levels: 800W

Quick start + 30 secs

8 auto direct access menus

Minute minder: 0 - 95 mins

24.5cm turntable

Child safety lock

Fingerprint proof stainless steel

Cooking Functions & Features: 6



\$950

Made in China

Choosing the right appliance starts with understanding its functions. This guide highlights key symbols and features across our range, helping you find what suits your cooking needs with clarity and confidence.



Conventional Heating

Even heat distribution for consistent baking, ideal for recipes like sponge cakes.



Grill + Bottom

Combines grill and bottom heat, perfect for evenly roasted meats.



Conventional + Fan

Blends traditional heating with fan circulation, good for evenly cooked roasts and cakes.



Bottom

Heat focused from the bottom, excellent for crispy bases in pastry dishes.



Grill

Direct, intense heat from above, great for grilling and browning meats.



Grill + Fan

Top grilling with fan-assisted heat, ensuring even browning.



MaxiGrill

Efficiently grills larger surfaces, suitable for big dishes.



MaxiGrill + Fan

Suitable for both surfaces roasting and even cooking of meats and casseroles.



Turbo

Consistent temperature for multi-level cooking, ideal for cooking multiple dishes.



Pizza

Tailored for pizzas and pastries, ensuring crispy crusts and evenly cooked toppings.



MaestroPizza 340°C

Reaches high temperatures for authentic stone-fired pizza taste.



Eco

Efficient, energy-saving cooking with intelligent temperature control.



Defrosting

Thaws food quickly and evenly, preparing it for cooking.



Slow Cooking

Lowers cooking speed for tender, flavourful dishes.



Ferment / Proofing / Rising

Steady low temperature of 30°C to 40°C, optimal for dough proofing.



Full Steam / Sous Vide

Sous vide cooking. Low, steady heat for prolonged periods, preserving food's appearance and nutrients.



Conventional + Steam

Fuses dry heat and steam for crispy exteriors and juicy interiors.



Regeneration

Gently reheats with steam, retaining food's moisture and taste.



Turbo + Steam

Combines high-speed air circulation with steam for quick, moist cooking.



SteakMaster

Ultra-high heat grilling up to 700°C, for intense searing and a caramelised crust.



AirFry

Hot air circulation for healthier frying, creating a crisp exterior and juicy interior.



Microwave

Basic function for quick heating and cooking.



Microwave + Grill

Combines microwave speed with grilling for fast, crispy results.



Microwave Combi

Combines microwave with oven functions, for faster cooking with even heating.



Fast Preheating

Quickly brings the oven up to the desired temperature for efficient cooking.



HydroClean® Pro

Turns water to steam to soften stubborn grease for easy cleaning.



Pyrolysis

High-temperature cleaning that turns residues into ash for easy wipe-down.



Built-in Kitchen Appliances

Hoods & Hobs

TEKA Hoods

Cooker hoods are often the unsung heroes of the kitchen. While the hob takes centre stage, the hood quietly removes smoke and odours to keep your space fresh and comfortable.

Teka hoods are available in downdraft, island, chimney, slimline and built-in designs, ensuring a perfect fit for every kitchen.

Hood - Downdraft



FIH 16760 TOS
Modular Downdraft Hood

Dimensions: W x H x D (mm)
110 x 186 x 510

Product Highlights:

- 3 speeds + intensive
- Touch control panel
- Stop delay timer
- FreshAir function
- EcoPower brushless motor
- Mesh filter: 1 (washable)
- Optional recirculation kit: RFH 36100 FOA kit

\$5,000

Made in Italy

600
m³/h

(62)
dB



DDI 90
Downdraft Hood

Dimensions: W x H x D (mm)
880 x 718 x 115

Product Highlights:

- 4 speeds
- Touch control panel
- Stop delay timer
- LED lighting: 2 lamps
- Optional recirculation kit: RFH 36100 FOA kit

\$3,990

Made in China

1000
m³/h



RFH 36100 FOA
Regenerative Recirculation Kit

Product Highlights:

- Compatible with FIH 16760 TOS & DDI 90
- Ideal for recirculation when external ducting is not possible
- Active carbon filters help maintain a cleaner kitchen environment
- Carbon filters regenerable in the oven for extended use
- Easy to install and replace

\$400

Made in Italy

Hood - Chimney



DHP 98760 SOS
90cm Smart Chimney Hood

Dimensions: W x H x D (mm)
900 x 670 - 1000 x 480

883
m³/h

(46)
dB

\$2,300

Made in Portugal

Product Highlights:

- HobToHood auto-connect, seamlessly syncs with IZF 68780 MST hob
- 3 speeds + 2 intensive
- Touch slider control panel
- FreshAir function
- Brushless EcoPower motor
- Filter saturation indicator
- MMX stainless steel filters: 3 (12 layers)



DLH 1185 T
110cm Chimney Hood

Dimensions: W x H x D (mm)
1100 x 625 - 955 x 480

Product Highlights:

- 3 speeds + intensive
- Touch control panel
- EcoPower motor
- 4 A Class efficiencies
- Stop delay timer
- Stainless steel filters: 3 (12 layers)
- LED lighting: 1 bar

1200
m³/h

(54)
dB



DVS 90 AD
90cm Chimney Hood

Dimensions: W x H x D (mm)
895 x 770 - 1120 x 380

Product Highlights:

- 3 speeds
- Dual control panel (touch + gesture)
- Powerful Kraftvoll motor
- Rim extraction
- Stop delay timer
- Metal filters
- LED lighting: 2 lamps

1500
m³/h

(65)
dB



DSJ 680
60cm Chimney Hood

Dimensions: W x H x D (mm)
600 x 670 - 1000 x 480

Product Highlights:

- Ultraslim design
- 4 speeds
- Push button control
- Operation Indicator light
- Stainless steel filters: 2
- LED lighting: 2 lamps

900
m³/h

(48)
dB

\$2,200

Made in Portugal

\$1,750

Made in China

\$1,250

Made in Portugal



CC 485
40cm Tubular Island Hood

Dimensions: W x H x D (mm)
400 x 815 - 1115 x 400

1200
m³/h

(50)
dB

Product Highlights:

- 3 speeds + intensive
- Touch control panel
- EcoPower motor
- Energy: A class
- Stop delay timer
- Stainless steel filters: 2
- LED lighting: 2 lamps

\$3,600

Made in Spain



DPL 90.1 AD Island
90cm Island Hood

Dimensions: W x H x D (mm)
900 x 650 - 1150 x 600

1200
m³/h

(71)
dB

Product Highlights:

- Perimeter rim extraction
- 3 speeds + intensive
- Touch control with digital display
- Stop delay timer
- Aluminium filters: 3 (5 layers)
- LED lighting: 2 lamps

\$2,900

Made in Portugal

GFL 97350 Integra

90 Built-in Hood

Dimensions: W x H x D (mm)
892 x 255 - 305 x 310 - 370

 **766**
m³/h

 **54**
dB

Product Highlights:

- Seamlessly integrated design
- Fixed slim front panel
- 3 speeds + intensive
- Electronic touch control
- EcoPower motor
- LED lighting: 1 bar

\$1,400

 Made in Portugal



CNL 6415 Plus-G1

60cm Slimline Pull Out Hood

 **730**
m³/h

Dimensions: W x H x D (mm)
600 x 184 x 300 - 490

 **52**
dB

Product Highlights:

- Limited edition collaboration with Italdesign
- Matte black finishing with premium copper touches
- 5 + 1 speeds
- EcoPower Motor
- Automatic lighting
- Stainless steel filters: 2 (MMX)
- LED lighting: 1 bar

\$1,200

 Made in Portugal



CNL 6415 Plus

60cm Slimline Pull Out Hood

 **730**
m³/h

Dimensions: W x H x D (mm)
600 x 184 x 300 - 490

 **52**
dB

Product Highlights:

- 5 + 1 speeds
- EcoPower Motor
- Exchangeable front panel
- Automatic lighting
- Stainless steel filters: 2 (MMX)
- LED lighting: 1 bar

\$800

 Made in Portugal



TLR2 92 GBK

90cm Slimline Pull Out Hood

 **540**
m³/h

Dimensions: W x H x D (mm)
895 x 161 x 297 - 463

Product Highlights:

- 2 speeds
- Mechanical control
- Exhaust ventilation on front
- Automatic lighting
- Aluminium filters: 2
- Incandescent lighting: 2 lamps

\$800

 Made in China

TEKA Hobs

Available in induction, vitroceramic and gas. Backed by over a century of expertise, they are designed for performance and everyday reliability.

Award-Winning DirectSense Induction Cooking

Selected Teka induction hobs use intelligent sensors to monitor temperature and adjust heat automatically, delivering precise and consistent results with ease.



200°C

Grilling

High heat delivers a rich, caramelised crust on meats and vegetables.



190°C

Pan Frying

Even browning across ingredients, from salmon to pancakes.



180°C

Deep Frying

Precise temperature for crisp frying, preventing oil from overheating.



100°C

Quick Boiling

Brings water to a rapid boil for faster, more efficient cooking.



100°C

Poaching

Gentle cooking for delicate ingredients, preserving texture and flavour.



98°C

Simmering

Keeps temperature just below boiling, for flavourful soups and stews without drying.



80°C

Confit

Low, controlled heat develops deep flavours without overcooking.



60°C

Keep Warm

Maintains food at a steady serving temperature without further cooking.



100°C

Rice Cooking

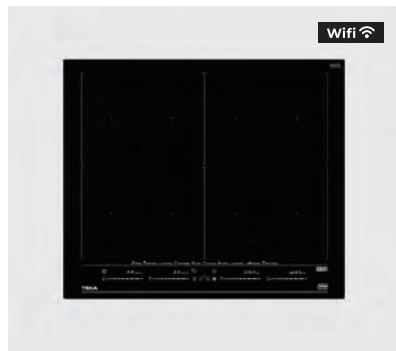
Manages heat at boiling point, ensuring consistent rice results.



48°C

Melting

Gentle heat melts butter or chocolate, preventing burning and separation.



IZF 68780 MST

60cm Smart Induction Hob



Dimensions: W x H x D (mm)
600 x 57 x 510



Product Highlights:

4 cooking zones (mm):
4 Flex Ø 262.5 x 195, FullFlex

HobToHood auto-connect, seamlessly syncs with DHP 98760 SOS hood

MultiSlider touch control & FlexZone

Cooking timer & child lock

Scratch resistant ceramic glass

DirectSense Precision Cooking: 10



\$3,900

Made in Turkey



IZF 68700 MST

60cm Induction Hob



Dimensions: W x H x D (mm)
600 x 50 x 510



Product Highlights:

4 cooking zones (mm):
4 Flex Ø 262.5 x 195, FullFlex

MultiSlider touch control & FlexZone

Power Plus function

Cooking timer & child lock

Scratch resistant ceramic glass

DirectSense Precision Cooking: 10



\$3,800

Made in Turkey



IZF 94300 MSP

90cm Induction Hob



Dimensions: W x H x D (mm)
900 x 53 x 510



Product Highlights:

4 cooking zones (mm):
Ø 280, 2 Flex Ø 235 x 188.5, Ø 185

DirectSense precision cooking

MultiSlider touch control & FlexZone

Cooking timer & child lock

Scratch resistant ceramic glass

DirectSense Precision Cooking: 3



\$3,500

Made in Turkey



IZF 65320 MSP
60cm Induction Hob

3 zones

Dimensions: W x H x D (mm)
600 x 50 x 510

15-30 Amp

Product Highlights:

- 3 cooking zones (mm):
Ø 150/280, 2 Flex Ø 230 x 188
- MultiSlider touch control & FlexZone
- Power Plus function
- Cooking timer & child lock
- Scratch resistant ceramic glass

DirectSense Precision Cooking: 3



\$2,800 Made in Turkey



IBC 7322 S
73cm Induction Hob

2 zones

Dimensions: W x H x D (mm)
730 x 60 x 430

20 Amp

Product Highlights:

- 2 cooking zones (mm): 2 Ø 200
- MultiSlider touch control
- 9 power levels
- Power Plus function
- Cooking timer & child lock
- Scratch resistant ceramic glass

DirectSense Precision Cooking: -



\$1,800 Made in China



IZS 34700 MST
30cm Modular Induction Hob

2 zones

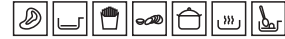
Dimensions: W x H x D (mm)
300 x 53 x 510

15 Amp

Product Highlights:

- 2 cooking zones (mm):
2 Flex Ø 255 x 200
- Intuitive Multislider & Slidecooking
- Power Plus function
- Cooking timer & child lock
- Scratch resistant ceramic glass

DirectSense Precision Cooking: 7



\$1,650 Made in Turkey



TZ 6315
60cm VitroCeramic Hob

Dimensions: W x H x D (mm)
600 x 53 x 510

3 zones

23 Amp

Product Highlights:

- 3 cooking zones (mm):
Ø 210/270, Ø 210, Ø 145
- Touch control
- 9 power levels + ExtraPower Booster
- Cooking timer
- Residual heat indicator & child lock
- Scratch resistant ceramic glass

\$1,450 Made in Turkey



TZC 32320 TTC
30cm Modular VitroCeramic Hob

Dimensions: W x H x D (mm)
300 x 58 x 510

2 zones

13 Amp

Product Highlights:

- 2 cooking zones (mm):
Ø 210, Ø 145
- Touch control
- 9 power levels
- cooking timer
- Residual heat indicator
- Scratch resistant ceramic glass

\$1,050 Made in Turkey

**GZC 63310**

60cm Gas On Glass Hob


Dimensions: W x H x D (mm)
 600 x 50 x 510
**Product Highlights:**

ExactFlame: Precise flame intensity control from 1 - 9

3 cooking zones:

- Double ring wok burner (4kW)
- Fast burner (2.8 kW)
- Auxiliary burner (1kW)

Auto-ignition (Electrical - 13 Amp)

Auto-lock gas disconnection

Scratch resistant ceramic glass with stable cast iron grid support

\$1,600

Made in Italy

**GZC 31330**

30cm Gas On Glass Hob


Dimensions: W x H x D (mm)
 300 x 50 x 510
**Product Highlights:**

ExactFlame: Precise flame intensity control from 1 - 9

1 cooking zones:

- Double ring wok burner (4kW)
- Auto-ignition (Electrical - 13 Amp)

Auto-lock gas disconnection

Scratch resistant ceramic glass with stable cast iron grid support

\$1,200

Made in Italy

**GZC 32300**

30cm Gas On Glass Hob


Dimensions: W x H x D (mm)
 300 x 50 x 510
**Product Highlights:**

ExactFlame: Precise flame intensity control from 1 - 9

2 cooking zones:

- Fast burner (2.8kW)
- Auxiliary burner (1kW)

Auto-ignition (Electrical - 13 Amp)

Auto-lock gas disconnection

Scratch resistant ceramic glass with stable cast iron grid support

\$1,100

Made in Italy

**EX 90.1 3G**

90cm Gas Hob


Dimensions: W x H x D (mm)
 860 x 84 x 500
Product Highlights:

3 cooking zones:

- 2 Double ring wok burners (4kW)
- Fast burner (2.8kW)
- Auxiliary burner (1.75kW)

High-efficiency burners

Auto-ignition (Electrical - 13 Amp)

Auto-lock gas disconnection

Stainless steel finishing with stable cast iron grids

\$1,500

Made in Italy

**EX 70.1 3G**

70cm Gas Hob


Dimensions: W x H x D (mm)
 680 x 84 x 500
Product Highlights:

3 cooking zones:

- 2 Double ring wok burners (4kW)
- Fast burner (2.8kW)
- Auxiliary burner (1.75kW)

High-efficiency burners

Auto-ignition (Electrical - 13 Amp)

Auto-lock gas disconnection

Stainless steel finishing with stable cast iron grids

\$1,400

Made in Italy

**GK LUX 78.1 3G**

78cm Gas On Glass Hob


Dimensions: W x H x D (mm)
 780 x 65 x 460
Product Highlights:

3 cooking zones:

- 2 Triple-ring wok burners (3.5kW)
- Triple-ring semi-fast burner (1.2kW)

Auto-ignition (Battery)

Auto-lock gas disconnection

Individual cast iron grids

Frameless tempered glass with individual cast iron grid

\$1,100

Made in China



So thirsty...

Where's the fridge again?

Gugu gaga 🍼?

Built-in Kitchen Appliances

Designed To Disappear

Freestanding



Built-in



RBF 73380 FI SG

Built-In Refrigerator



Dimensions: W x H x D (mm)

560 x 1771 - 1774 x 560

Highlights

- Full no-frost combi
- Triple temperature zones
- Electronic adjustable thermostat
- Specialised FreshBox drawers keeps groceries fresher for longer
- Fast cooling and freezing functions





Freestanding



Built-In



RSR 131 SG

Built-In Undercounter Refrigerator

Climate
Vouchers
Approved

Dimensions: W x H x D (mm)

596 x 818 - 870 x 550

Highlights

- Electronic adjustable thermostat
- Inner mini freezer included
- 2 safety glass shelves
- Adjustable inner shelf on door balcony



DFI 76960

Built-In Dishwasher

Dimensions: W x H x D (mm)

598 x 815 - 865 x 550

Highlights

- 14 plate settings
- 8 washing programs
- Advanced Silver Ion filtration eliminates over 99% bacteria
- Washing temperature (°C): 45, 50, 55, 60, 65
- Auto-door opening at the end of washing cycle

DSI 46750

Partially Built-In Dishwasher

Dimensions: W x H x D (mm)

598 x 815 - 865 x 570

Highlights

- 13 plate settings
- 7 washing programs
- Washing temperature (°C): 45, 50, 55, 65, 70
- Fast program: 30 minutes
- SmartSensor auto-adjust wash cycle settings based on dirt levels





Built-in Kitchen Appliances

Sinks & Mixers

TEKA Sinks

Built on over a century of stainless steel expertise, Teka sinks are designed for durability, performance and everyday use. Precision-crafted to withstand the demands of the modern kitchen, they deliver lasting quality you can rely on.

Every Teka sink comes with a lifetime warranty, giving you lasting peace of mind.



Teka Kitchen Sinks are available in two distinctive materials:



18/10 Austenitic Stainless Steel

Composition:
Fe + C + Cr + Ni

Teka's sinks are meticulously crafted from the highest quality austenitic stainless steel, ensuring superior durability and resistance to shocks, corrosion, and staining. The high nickel content of this steel guarantees a hygienic surface that's easy to maintain, keeping your sink pristine for years



Tegrinite+ Quartz

Composition:
SiO₂ + pHEMA + Ag⁺

Teka's Tegrinite+ material is specifically designed to meet the rigorous demands of daily kitchen use. Our exclusive signature blend is impressively resistant to impacts, dirt, and temperature changes, ensuring effortless cleanliness with antimicrobial protection.





Intro 82

Top Mount Single Bowl
Stainless Steel Kitchen Sink

External: W x H (mm)

820 x 500

Bowl: W x H x D (mm)

770 x 400 x 200 (Ø 15)

Product Highlights:

Base unit (mm): 900

Deep bowl (mm): 200

Durable austenitic stainless steel

SilentSmart noise-cancelling

\$790



Intro 60

Top Mount Single Bowl
Stainless Steel Kitchen Sink

External: W x H (mm)

600 x 500

Bowl: W x H x D (mm)

550 x 400 x 200 (Ø 15)

Product Highlights:

Base unit (mm): 700

Deep bowl (mm): 200

Durable austenitic stainless steel

SilentSmart noise-cancelling

\$680



Linea 200.400

Undermount Single Bowl
Stainless Steel Kitchen Sink

External: W x H (mm)

240 x 440

Bowl: W x H x D (mm)

200 x 400 x 48 (Ø 1)

Product Highlights:

Base unit (mm): 400

Durable austenitic stainless steel

SilentSmart noise-cancelling

\$370



ARQ 2B 840

Undermount Double Bowl
Stainless Steel Kitchen Sink

External: W x H (mm)

840 x 430

Bowl: W x H x D (mm)

380 x 380 x 220 (Ø 15)

Product Highlights:

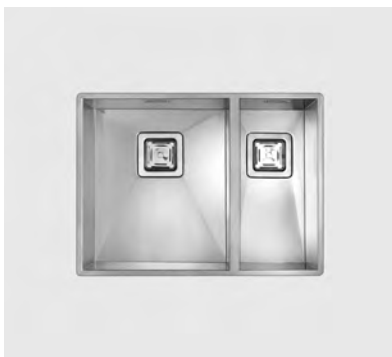
Base unit (mm): 900

Deep bowl (mm): 220

Durable austenitic stainless steel

SilentSmart noise-cancelling

\$1,010



Square 340.400/180.400

Undermount Double Bowl
Stainless Steel Kitchen Sink

External: W x H (mm)

575 x 430

Bowl: W x H x D (mm)

340 x 400 x 180 (Ø 1)

180 x 400 x 180 (Ø 1)

Product Highlights:

Base unit (mm): 600

Durable austenitic stainless steel

SilentSmart noise-cancelling

\$700

 Made in Italy



Linea 340.400/180.400

Undermount Double Bowl
Stainless Steel Kitchen Sink

External: W x H (mm)

592 x 440

Bowl: W x H x D (mm)

340 x 400 x 184 (Ø 1)

180 x 400 x 184 (Ø 1)

Product Highlights:

Base unit (mm): 600

Durable austenitic stainless steel

SilentSmart noise-cancelling

Accessories included: Pop-up waste

\$600

 Made in Italy



FlexLinea RS15 71.40

3-in-1 Mount Single Bowl
Stainless Steel Kitchen Mixer

External: W x H (mm)
750 x 440

Bowl: W x H x D (mm)
710 x 400 x 200 (Ø 15)

Product Highlights:

Base unit (mm): 800

Deep bowl (mm): 200

Durable austenitic stainless steel

SilentSmart noise-cancelling

\$1,320



Made in Italy



FlexLinea RS15 50.40

3-in-1 Mount Single Bowl
Stainless Steel Kitchen Sink

External: W x H (mm)
540 x 440

Bowl: W x H x D (mm)
500 x 400 x 200 (Ø 15)

Product Highlights:

Base unit (mm): 600

Deep bowl (mm): 200

Durable austenitic stainless steel

SilentSmart noise-cancelling

\$1,100



Made in Italy



ARQ 70.45

Undermount Single Bowl
Stainless Steel Kitchen Sink

External: W x H (mm)
700 x 450

Bowl : W x H x D (mm)
650 x 400 x 220 (Ø 15)

Product Highlights:

Base unit (mm): 800

Deep bowls (mm): 220

Durable austenitic stainless steel

SilentSmart noise-cancelling

\$750



Stone 90 B-TG 2B

Top Mount Double Bowl
Tegranite+ Kitchen Sink

External: W x H (mm)
860 x 510

Bowl: W x H x D (mm)
347 x 414 x 200

Product Highlights:

Base unit (mm): 900

Tegranite+ quartz

High resistant to impacts, dirt and temperature changes

Easy to clean bacteria-free surface

Pop-up waste included

\$1,220



Made in Germany



Square 72.40 TG

Undermount Single Bowl
Tegranite+ Kitchen Sink

External: W x H (mm)
760 x 440

Bowl: W x H x D (mm)
720 x 400 x 200

Product Highlights:

Base unit (mm): 800

Deep bowl (mm): 200

Tegranite+ quartz

High resistant to impacts, dirt and temperature changes

Easy to clean bacteria-free surface

\$1,110



Made in Italy



Square 50.40 TG

Undermount Single Bowl
Tegranite+ Kitchen Sink

External: W x H (mm)
540 x 440

Bowl: W x H x D (mm)
500 x 400 x 200

Product Highlights:

Base unit (mm): 600

Deep bowl (mm): 200

Tegranite+ quartz

High resistant to impacts, dirt and temperature changes

Easy to clean bacteria-free surface

\$950



Made in Italy

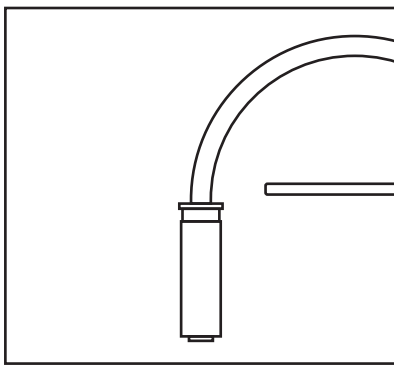
TEKA Mixers

Designed for effortless control and everyday convenience, Teka kitchen mixers combine precise water flow with smooth temperature adjustment. Built with durable materials and thoughtful design, they deliver reliable performance for daily use.

Every Teka mixer comes with a 5-year warranty.



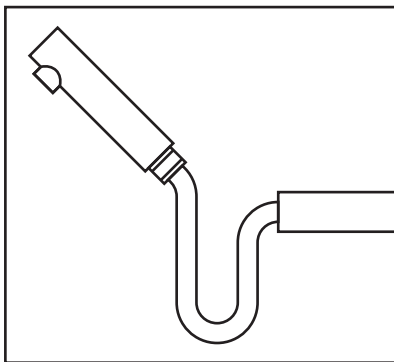
Teka Kitchen Sinks are available in three designs, each suited to different needs.



Semi-Professional Kitchen Mixer

Designed for performance and control, inspired by professional kitchens. The high-arc structure and flexible hose provide extended reach and precision, making it ideal for rinsing, filling large pots, and handling demanding cooking tasks.

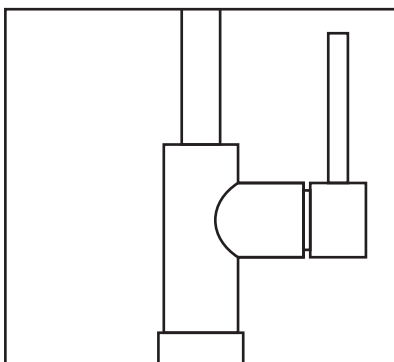
Built for those who cook frequently, it offers enhanced control, efficiency, and a more dynamic kitchen experience.



Pull-Out Kitchen Mixer

Designed for everyday versatility, the pull-out mixer offers greater reach and flexibility for a wide range of tasks. The extendable spray head allows you to clean every corner of the sink with ease, rinse produce thoroughly, and handle larger cookware comfortably.

A practical choice for busy kitchens, it combines convenience, functionality, and ease of use.



Single Lever Kitchen Mixer

Simple, intuitive, and space-efficient, the single lever mixer is designed for effortless everyday use. Adjust water flow and temperature smoothly with one hand, making it ideal for quick tasks and compact kitchens.

With its clean design and reliable performance, it offers a straightforward solution without compromising on comfort or control.



FO 937 Black
Semi-Professional Flexible Spout
Kitchen Mixer

Water flow rate: 4.8 litres/min

Product Highlights:

- Pull-down shower with aerated spray for wide sink coverage
- 360° high swivel spout, more space and reach
- Highly precise temperature control
- Anti-scale aerator, less water strong flow
- High-resistance ceramic cartridge, prevents leaking
- Stainless steel spout with high-resistant flexible rubber tube

\$950



UNI 9331 XP / BK
High Spout Pull-Out
Kitchen Mixer

Product Highlights:

Water flow rate: 3.6 litres/min

- Pull-out, reach every corner
- 360° high swivel spout, more space and reach
- Highly precise temperature control
- Energy saving cold start, hot water only when needed
- Anti-scale aerator, less water strong flow
- High resistance ceramic cartridge, prevents leaking
- AIS 304 stainless steel construction, hygienic and built to last

\$650/590



ARK 938
High Spout Pull-Out
Kitchen Mixer

Product Highlights:

Water flow rate: 5 litres/min

- Pull-out, reach every corner
- 360° high swivel spout, more space and reach
- Highly precise temperature control
- Anti-scale aerator, less water strong flow
- High resistance ceramic cartridge, prevents leaking

\$690



MB2 High Pull Out
Double Spray Pull-Out
Kitchen Mixer

Product Highlights:

Water flow rate: 3.6 litres/min

- Pull-out, reach every corner
- Double spray modes
- 360° high swivel spout, more space and reach
- Highly precise temperature control
- Anti-scale aerator, less water strong flow
- High resistance ceramic cartridge, prevents leaking
- Chrome finishing

\$690





UNI 9310 XP / BK

High Spout Single Lever
Kitchen Mixer

Product Highlights:

Water flow rate: 3.8 litres/min

360° high swivel spout, more space and reach

Highly precise temperature control

Energy saving cold start, hot water only when needed

Anti-scale aerator, less water strong flow

High resistance ceramic cartridge, prevents leaking

AIS 304 stainless steel construction, hygienic and built to last

\$400 / \$380



IN 995

High Spout Single Lever
Kitchen Mixer

Product Highlights:

Water flow rate: 5.1 litres/min

360° high swivel spout, more space and reach

Highly precise temperature control

Anti-scale aerator, less water strong flow

High resistance ceramic cartridge, prevents leaking
Chrome finishing

\$400



FO 915

High Spout Single Lever
Kitchen Mixer

Product Highlights:

Water flow rate: 4.6 litres/min

360° high swivel spout, more space and reach

Highly precise temperature control

Anti-scale aerator, less water strong flow

High resistance ceramic cartridge, prevents leaking

\$800

Single Lever Kitchen Mixer

About Us

Born in Germany, Teka has spent over a century shaping the way kitchens function around the world. Today, Teka serves more than 120 countries, supported by 15 factories across Europe, America and Asia.

Recognised for its premium quality and intuitive cooking technologies, Teka continues to design appliances that bring precision, reliability and ease into everyday cooking.

2-Year Warranty

All Teka products come with a 2-year warranty.
Register your e-warranty to activate your full coverage.

[Click Here to Register](#)

Complimentary Home Demonstration

Enjoy a complimentary demo with your Teka purchase. Our team will guide you through your appliance, so you can use it with confidence from day one.

To book, call **+65 6734 2415**

The K Word is the sole distributor of Teka in Singapore, providing product expertise, dedicated after-sales support and a fully equipped Experience Centre for hands-on demonstrations.

Experience Centre

50 Kaki Bukit Place, #01-01
Singapore 415926

Contact

+65 6734 2415
hello@thekword.com.sg

Website

www.teka-sg.com