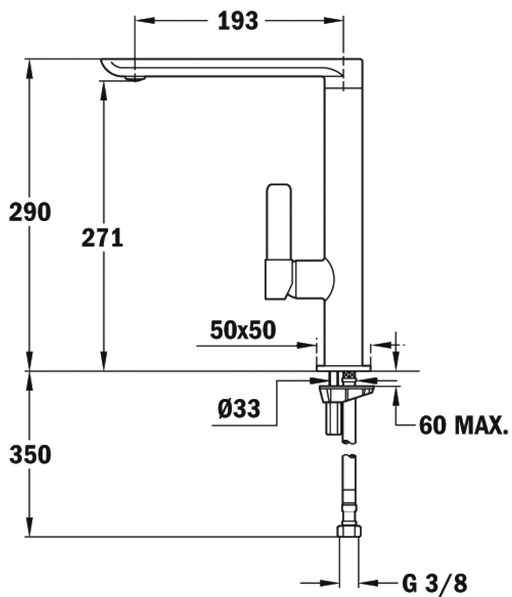


Anti-Scale  
AeratorSwivel  
SpoutSaving  
Water

## REFERENCE

REF: 629150200

EAN: 8421152112700

## FEATURES

High spout kitchen tap  
 Minimalistic design  
 High swivel spout  
 Anti-scale aerator  
 Cartridge with ceramic discs of high resistance  
 Highly precise temperature control  
 Greater handling sensitivity with smoother movements  
 3/8" flexible inlet pipes

## DIMENSIONS

**Product height (mm):** 290




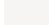
**Product width (mm):**

**Product depth (mm):**

**Product length (mm):**

**Net weight (Kg):** 2,22

## COLOURS

	629150200	Chrome
	62915020BC	Chrome Black
	62915020BC	Stainless Steel
	62915020BC	Chrome White