



TKD 1610 Free standing Washer Dryer with 22 programs, 10kg washing capacity and 7kg drying capacity



Hand wash program



10Kg washing capacity



7Kg washing capacity

DESCRIPTION

Free standing Washer Dryer with 22 programs, 10kg washing capacity and 7kg drying capacity

LIFE STYLE

Maestro

COLORS



REFERENCE

REF. 40874452
EAN. 8421152149096



TEKA

TKD 1610

FEATURES

Electronic panel

Energy class: A

Washing Capacity: 10kg

Drying Capacity: 7kg

Maximum spinning speed: 1600 RPM

Stainless steel drum (70 lts)

Fast program: 15 minutes

Delayed door opening

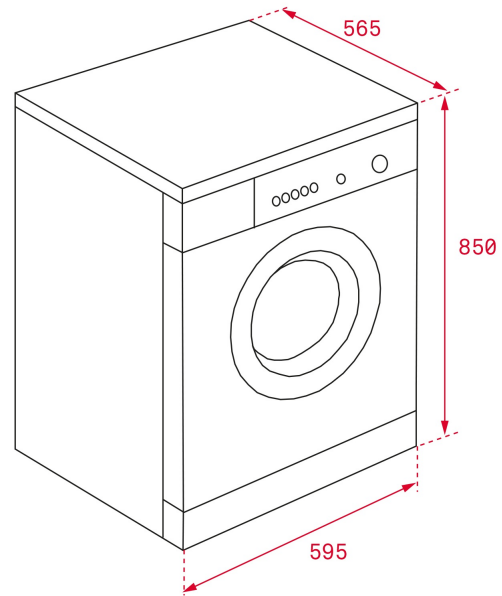
Ajustable front and back feet

Special programs: Speed wash, 1H Wash and Dry, Extra Rinse,

Prewash, Temperature, Spin

Child Lock

33 cm diameter Porthole

TEKA**TKD 1610**

DIMENSIONS

Product height (mm): 850
Product width (mm): 595
Product depth (mm): 565
Product length (mm):
Net weight (Kg): 71

TECH SPECS

PRODUCT SHEET

Type of installation: Free standing
Drying capacity (Kgs): 7
Energy consumption (kWh/year): 260
Water consumption (litres/year): 10000
Certificates: CE

POWER SUPPLY

Frequency (Hz): 50
Power rate (V): 220-240
Maximum Nominal Power (W): 2000
Nominal power motor (W): 500
Power of heating element (W): 1200

FEATURES

Stainless Steel Drum: Yes
Number of programs: 16
Number Of Washing Temperatures: 6
Electronic washing management: Yes
Child lock: Yes
Auto lock door: Yes
Cancel spin cycle button: Yes

CONTROL INDICATOR LIGHTS

Selected program indicator: Yes

Remaining time: Yes

Drying: Yes

SPECIAL FUNCTIONS

Delayed Timer (h): 1-24 hours

Extra rinse: Yes

Delicate fabrics: Yes

Easy ironing/anti crease: Yes

EQUIPMENT

Adjustable Feet Back: Yes

Adjustable feet front: Yes



TKD 1610

ENERGY LABEL

Energy		Washer dryer
Manufacturer	TEKA	
Model	TKD 1610 WD	
More efficient		
Less efficient		
Energy consumption <small>(to wash and dry a full capacity wash load at 60 °C)</small>	kWh	6.80
Washing(Only)	kWh	1.10
<small>Actual energy consumption will depend on how the appliance is used</small>		
Washing performance	A B C D E F G	
<small>A: higher Spin speed(rpm) G: lower</small>	1600	
Capacity (Cotton)Kg	Washing	10.0
	Drying	7.0
Water consumption(total)	160	
Noise (dB(A) re 1 pW)	Washing	56
	Spinning	78
	Drying	62
<small>Further information is contained in product brochures</small>		
<small>Norm EN 60229 Washer-dryer Label Directive 98/10/EC</small>		