

TEKA**MAESTRO MaestroPizza HLB 85 Infinity G1**

Infinity G1 Pizza oven. Special edition by Giugiaro Italdesign



70 L



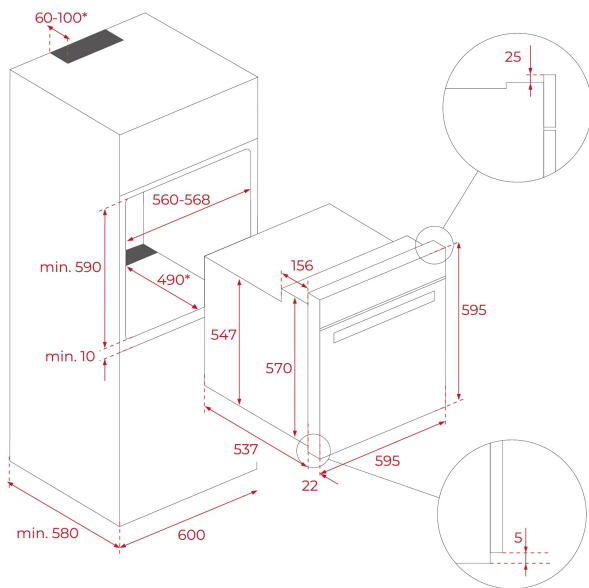
DualClean



HydroClean



SoftClose

**REFERENCE**

REF: 111000056

EAN: 8434778022353

FEATURES

Infinity G1 special edition
 Designed in Italy by Giugiaro Italdesign
 Multifunction SurroundTemp oven
 Exclusive matte black finishing
 8 cooking functions
 Pyrolysis self-cleaning system and automatic HydroClean system
 Touch control display with knobs
 Electronic timer (Delay/Start function)
 Chrome supports with 5 cooking levels
 Removable quadruple glazed door
 Automatic disconnection security system
 SoftClose system
 Children safety lock
 Manual quick preheating
 Anti-tip deep tray, baking tray and reinforced grid
 Special pizza stone included
 Capacity (gross/net): 71 /70 litres

DIMENSIONS**Product height (mm):** 595**Product width (mm):** 595**Product depth (mm):** 537+22**Product length (mm):****Net weight (Kg):** 42**TECH SPECS**

Energy Efficiency Class: A+

Power rate (V): 220/240

Frequency (Hz): 50/60

Maximum Nominal Power (W): 3552

COLOURS

111000056

Black Matt



MaestroPizza HLB 85 Infinity G1

Oven Cooking Symbols & Functions



Oven Cooking Functions:

7 + 1



Conventional Heating

Even heat distribution for consistent baking, ideal for recipes like sponge cakes.



Grill

Direct, intense heat from above, great for grilling and browning meats.



MaxiGrill

Efficiently grills larger surfaces, suitable for big dishes.



Pizza

Tailored for pizzas and pastries, ensuring crispy crusts and evenly cooked toppings.



Turbo

Consistent temperature for multi-level cooking, ideal for cooking multiple dishes.



Eco

Efficient, energy-saving cooking with intelligent temperature control.



Defrosting

Thaws food quickly and evenly, preparing it for cooking.

Additional Functions:



Fast Preheating

Quickly brings the oven up to the desired temperature for efficient cooking.



HydroClean® Pro

Turns water to steam to soften stubborn grease for easy cleaning.



Pyrolysis

High-temperature cleaning that turns residues into ash for easy wipe-down.

Exclusive:



MaestroPizza 340°C

Reaches high temperatures for authentic stone-fired pizza taste.