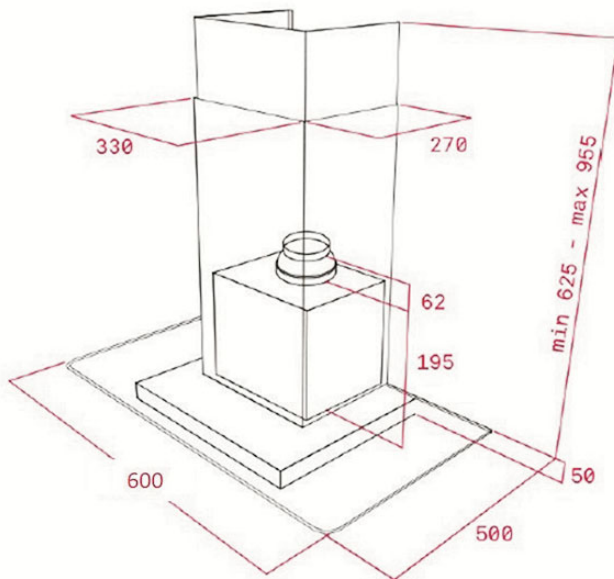




LED



FEATURES

- Decorative chimney hood
- Touch control with digital display
- 3 speeds with 2 LED lamps: 1.5W
- Exhaust capacity: 1,200 m³/h
- Sound power level: 60 dBA
- Metal filters
- Optional recirculating or ducting system
- Delay timer

PARTICULAR CHARACTERISTICS

- Outlet (mm): 150
- Type of inner light: LED
- Inside light consumption (W): 2
- Plug type: European plug
- Power rate (V): 220240
- Frequency (Hz): 5060
- Total hood power (W): 269
- Number of motors: 1
- Motor power (W): 265
- Energy Efficiency Class: A
- Fluid Dynamic Efficiency (FDEhood): 30,4 / Class: A
- Noise (LwA): Max. speed (dB): 67,8 / Boost speed (dB): 71,1
- Off mode Power (Po) (W): 0,25
- Energy Efficiency Index (EEI): 52,9
- Time increase factor: 0,9
- Air pressure at best efficiency point (Pbep) (Pa): 475
- Electric power input at best efficiency point (Wbep) (W): 168,7
- Nominal power of the lighting system (WL) (W): 4
- Average illumination of the lighting system on the cooking surface (Emiddle) (Lux): 147
- Light Efficiency (Lehood) (Lux/Watt): 37
- Lighting Efficiency Class: A
- Grease Filtering Efficiency Class: C
- Air flow: Qmin (m³/h): 308,4 / Qmax (m³/h): 577,8 / Qboost (m³/h): 702,9
- Noise (LwA) min. speed (dB): 53,3

ACCESSORIES

- Anti Return valve: Yes
- Outlet reduction: Yes

MODELS

- Number of filters: 1
- Filter description: Stainless steel filters
- Control panel: Backlit electronic control with display
- Stop delay timer: Yes
- Filter saturation indicator: Yes
- Number of speeds: 4