



# TEKA HCB 6435 Multifunction Oven with HydrocleanPRO and Push-Pull Knobs



HydroClean

**DESCRIPTION**

Multifunction Oven with HydrocleanPRO and Push-Pull Knobs

**LIFE STYLE**

Easy

**COLOURS**



**REFERENCE**

REF. 111020013  
EAN. 8434778003192



**TEKA**

**HCB 6435**

**FEATURES**

Multifunction oven  
8 cooking functions  
Automatic HydroClean system  
Mechanical control knobs  
Electronic timer  
Chrome supports with 5 cooking levels  
Removable double glazed door  
Manual quick preheating  
Anti-tip deep tray  
Capacity (gross/net): 70 / 65 litres



# HCB 6435

## Oven Cooking Symbols & Functions



### Oven Cooking Functions:

8



#### Conventional Heating

Even heat distribution for consistent baking, ideal for recipes like sponge cakes.



#### Bottom

Heat focused from the bottom, excellent for crispy bases in pastry dishes.



#### Grill

Direct, intense heat from above, great for grilling and browning meats.



#### MaxiGrill

Efficiently grills larger surfaces, suitable for big dishes.



#### MaxiGrill + Fan

Suitable for both surfaces roasting and even cooking of meats and casseroles.



#### Conventional + Fan

Blends traditional heating with fan circulation, good for evenly cooked roasts and cakes.



#### Eco

Efficient, energy-saving cooking with intelligent temperature control.



#### Defrosting

Thaws food quickly and evenly, preparing it for cooking.

### Additional Functions:



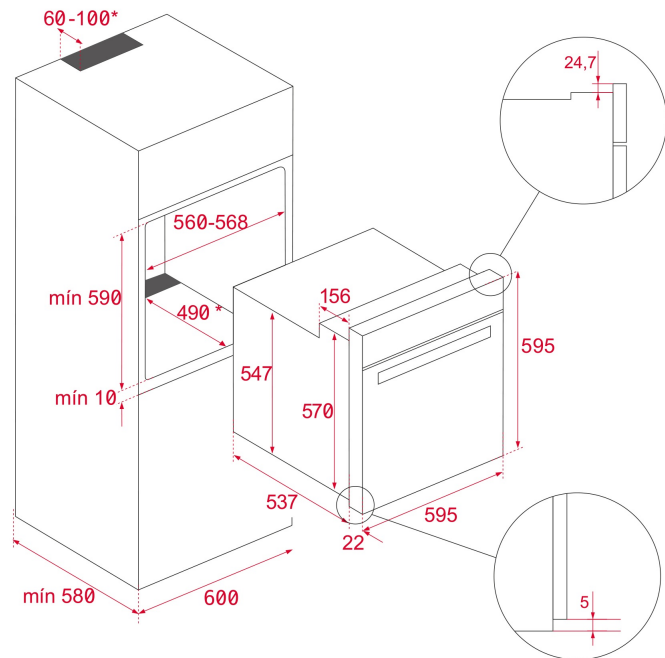
#### Fast Preheating

Quickly brings the oven up to the desired temperature for efficient cooking.



#### HydroClean® Pro

Turns water to steam to soften stubborn grease for easy cleaning.



## DIMENSIONS

**Product height (mm):** 595

**Product width (mm):** 595

**Product depth (mm):** 537+22

**Product length (mm):**

**Net weight (Kg):** 27

## TECH SPECS

### FEATURES

**Certificates:** N / CE / CCA / CB

**Number of cavities:** 1

**Type of inner light:** Halogen

**Inside light position:** RIGHT TOP CORNER

**Enamelled cavity:** Yes

**Min. Temperature Regulator (°C):** 50

**Max. Temperature Regulator (°C):** 250

**Function selector:** 10+0

**Number of cooking functions:** 8

**Top + Bottom function:** Yes

**Grill function:** Yes

**MaxiGrill function:** Yes

**Top + Bottom + Fan function:** Yes

**MaxiGrill + Fan function:** Yes

**Bottom function:** Yes

**ECO function:** Yes

**Mechanical quick heating:** Yes

**Touch Control Programmer:** Yes

**Knobs type:** POP IN-OUT

**Number of guide levels:** 5

**ELECTRIC CONNECTION**

**Maximum Nominal Power (W):** 2615  
**Frequency (Hz):** 50/60  
**Power rate (V):** 220-240  
**Cable Connection Length (cm):** 110  
**Inside light Consumption (W):** 25

**ENERGY CONSUMPTION**

**Energy consumption per cycle in conventional mode (kWh):**  
0.86  
**Energy consumption per cycle in fan-forced convection mode (kWh):** 0,68  
**Bottom Heating Element (W):** 1150  
**Grill (W):** 1400  
**Maxi Grill (W):** 2500  
**Traditional (W):** 2550  
**Multifunction Turbo (W):** 22  
**Cooling Fan Motor (W):** 18

**SAFETY SYSTEMS**

**Panel blocking system:** Yes  
**Grill protection:** Yes  
**Anti-tip tray system:** Yes  
**Safety Thermostat:** Yes

**CLEANING SYSTEM**

**Fingerprint proof stainless steel:** Yes  
**Crystal Clean Enamel (Slippery):** Yes  
**Hydroclean PRO:** Yes

**ACCESSORIES**

**Baking Tray:** 1

**ENERGY EFFICIENCY**

**Energy Efficiency Class:** A+  
**Energy Efficiency Index (EEI):** 81



HCB 6435

ENERGY LABEL

The energy label for the TEKA HCB 6435 dishwasher features the following information:

- Header:** Includes the European Union flag, the word "ENERG" in large letters, and "енергия · ενεργεια" in smaller text below it. To the right are four circular icons labeled Y, UA, IE, and IA.
- Brand and Model:** The TEKA logo is on the left, and the model number "HCB 6435" is on the right.
- Energy Efficiency Scale:** A vertical bar on the left shows efficiency levels from A+++ (green) to D (red). A black arrow points to the A+ level.
- Capacity:** A box on the left shows a dishwasher icon and "65 L".
- Energy Consumption:** Two boxes on the right show icons for a full cycle and a half cycle, with values "0.80 kWh/cycle\*" and "0.67 kWh/cycle\*" respectively.
- Footnote:** A line of small text at the bottom provides translations for "cycle" in various languages: "\* unesat - cyclus - portion - zykus - nrolypouara - ciclo - tsükkel - ohjelma - ciklus - ciklus - ciklu - cyclus - cykl - ciklu - program - cykel".
- Standard Reference:** The text "65/2014" is located at the bottom left of the label.