

TEKA**MAESTRO HLB 850**

A+ Multifunction Oven with HydroClean® PRO cleaning system



70L

Plus
Extension
Telescopic
Guide

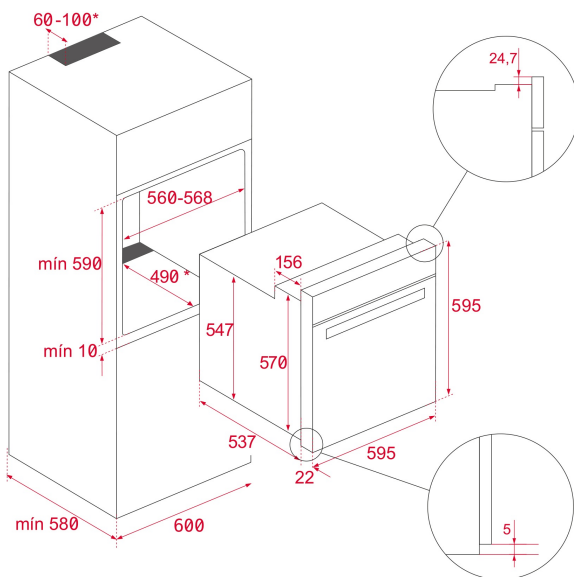
HydroClean



SoftClose



SurroundTemp

**REFERENCE**

REF: 41560290

EAN: 8421152154526

FEATURES

Multifunction SurroundTemp oven
 9 cooking functions
 Automatic HydroClean system
 Mechanical control knobs
 Electronic timer
 Chrome supports with 5 cooking levels
 Easy slide telescopic guides
 Removable triple glazed door
 SoftClose system
 Manual quick preheating
 Anti-tip deep tray and reinforced grid
 Capacity (gross/net): 71 / 70 litres

DIMENSIONS**Product height (mm):** 595**Product width (mm):** 595**Product depth (mm):** 537+22**Product length (mm):****Net weight (Kg):** 28**TECH SPECS**

Energy Efficiency Class: A+

Power rate (V): 220-240

Frequency (Hz): 50/60

Maximum Nominal Power (W): 3215

COLOURS

41560290

Black Glass with StainlessSteel frame



HLB 850

Oven Cooking Symbols & Functions



Oven Cooking Functions:

9



Conventional Heating

Even heat distribution for consistent baking, ideal for recipes like sponge cakes.



Bottom

Heat focused from the bottom, excellent for crispy bases in pastry dishes.



Grill

Direct, intense heat from above, great for grilling and browning meats.



MaxiGrill

Efficiently grills larger surfaces, suitable for big dishes.



MaxiGrill + Fan

Suitable for both surfaces roasting and even cooking of meats and casseroles.



Pizza

Tailored for pizzas and pastries, ensuring crispy crusts and evenly cooked toppings.



Turbo

Consistent temperature for multi-level cooking, ideal for cooking multiple dishes.



Eco

Efficient, energy-saving cooking with intelligent temperature control.



Defrosting

Thaws food quickly and evenly, preparing it for cooking.

Additional Functions:



Fast Preheating

Quickly brings the oven up to the desired temperature for efficient cooking.



HydroClean® Pro

Turns water to steam to soften stubborn grease for easy cleaning.